

CULTURED PRODUCTS

COLORS OF CULTURED PRODUCTS

THE MANUFACTURING OF CULTURED MARBLE, ONYX & GRANITE IS A COMPLEX PROCESS INVOLVING SEVERAL MANUAL OPERATIONS PERFORMED BY SKILLED CRAFTSMEN. AS WITH NATURAL MARBLE, VARIATIONS IN VEINING AND TONAL QUALITIES WILL OCCUR. FINAL PRODUCT COLOR IS INFLUENCED BY VARIATIONS IN RAW MATERIALS. **SAMPLES MUST BE CONSIDERED AS REPRESENTATIVE, BUT NOT EXACT.** SAMPLES ARE PROVIDED ONLY AS A GENERAL GUIDE. NO TWO PIECES WILL EVER BE THE SAME SINCE EACH HAS A CHARACTER AND PATTERN AS INDIVIDUAL AS A FINGERPRINT. **NO REFUNDS OR DISCOUNTS WILL BE GIVEN FOR COLOR OR PATTERN VARIATIONS.**

TOLERANCES

CUSTOM ITEMS ARE MANUFACTURED TO PURCHASERS' SPECIFICATIONS UNDER HIGHLY CONTROLLED PRODUCTION METHODS. ALTHOUGH GREAT CARE IS TAKEN DURING PRODUCTION, MINOR INCONSISTENCIES WILL OCCUR. ALL DIMENSIONS MAY VARY SLIGHTLY.

CAUTION OF HOT WATER !! ALWAYS MIX HOT WATER WITH COLD. NEVER USE STRAIGHT HOT WATER, AS IT MAY CAUSE "CRAZING" DUE TO THERMAL SHOCK. CRAZING WILL APPEAR AS HAIRLINE CRACKS IN THE SURFACE GLAZE. **NOTE TO INSTALLER:** HAND TIGHTEN POP-UP ASSEMBLY! OVERTIGHTENING OF FITTINGS CAN RESULT IN STRESS CRACKING AT A LATER DATE.

CARE OF CULTURED PRODUCTS

CULTURED MARBLE PRODUCTS SUPPLIED BY CLASSIC BATH DESIGNS WILL GIVE YOU MANY YEARS OF SERVICE WITH A MINIMUM AMOUNT OF CARE. REGULAR CLEANING WITH LIQUID CLEANSER AND AN OCCASIONAL COAT OF PASTE WAX IS ALL THAT IS NEEDED. NEVER USE ABRASIVE CLEANERS ON CULTURED MARBLE. WE RECOMMEND & DISTRIBUTE BOTH SHINE-ALL ® AND GEL KARE® POLISH TO MAINTAIN THE BEAUTY OF ALL CULTURED MARBLE PRODUCTS.

COMPARISON OF OUR DIFFERENT CULTURED PRODUCTS

CULTURED MARBLE: (#100 SERIES)	APPROXIMATELY 25% POLYESTER RESIN AND 75% CALCIUM CARBONATE (WHITE LIMESTONE) WITH TITANIUM PIGMENT BACKGROUND AND COLOR VEINING. THESE ARE ALSO AVAILABLE WITH A COLORED BACKGROUND AND WHITE VEINING. THIS IS OUR LEAST EXPENSIVE CULTURED MATERIAL.
CULTURED ONYX: (#200 SERIES)	APPROXIMATELY 25% POLYESTER RESIN AND 75% ALUMNA TRI-HYDRATE WITH OFF-WHITE BACKGROUND AND COLOR VEINING AND WHITE VEINING. THE COST IS APPROXIMATELY 30% MORE THAN CULTURED MARBLE.
GRANITE: (#300 SERIES)	APPROXIMATELY 25% POLYESTER RESIN AND 75% PRE-MIXED COLOR AND PATTERN MATERIAL. THE COST IS APPROXIMATELY 65% MORE THAN CULTURED MARBLE.
FLORENTINE: (#400 SERIES)	APPROXIMATELY 20% POLYESTER RESIN AND 80% CALCIUM CARBONATE FILLER WITH COLORED BACKGROUND AND SPECIAL VEINING AND PATTERN. THE COST IS APPROXIMATELY 15% MORE THAN CULTURED MARBLE.
FRIT: (#500 SERIES)	APPROXIMATELY 25% POLYESTER RESIN, 70% ALUMNA TRI-HYDRATE, AND 5% FRIT ("CRUSHED GLASS") COLORED BACKGROUND WITH FRIT IN THE PATTERN WHICH ADDS "DEPTH" IN THE VEINING AND PATTERN. THE COST IS APPROXIMATELY 65% MORE THAN CULTURED MARBLE.

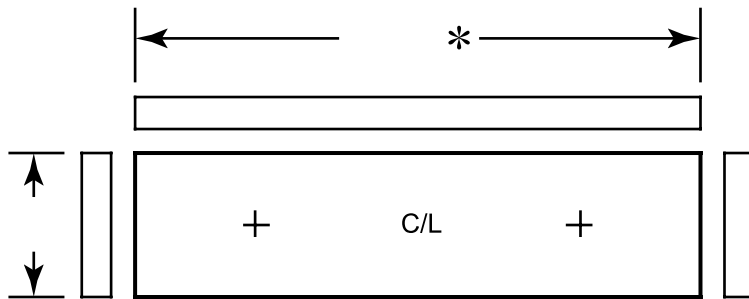
FIELD MEASURE, DELIVERY, AND INSTALLATION ARE AVAILABLE UPON REQUEST AND WILL BE QUOTED SEPARATELY.

Classic Bath Designs, Inc.

SUN VALLEY • CALIFORNIA

JUNE 1, 2005
 (818) 767-1144
 (818) 767-1278 FAX

CUSTOMER _____ P.O. # _____ JOB NAME _____ DATE _____



Material Type: _____ Color # _____

Standard 4" Coved backsplash
 or _____" loose backsplash

Raised Edges (19" or 22" coved tops):

Front Front & Left
 Front & Right None

CUSTOM TOP WORKSHEET





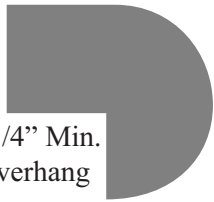

* Prices are per lineal inch	Material Series #	Marble (100)	Onyx (200)	Granite (300)	Florentine (400)	Frit (500)	Extended Prices:
* Up to 22" deep with coved back (116" Max)		\$10.10	\$13.60	\$16.70	\$12.00	\$16.70	
* Up to 25" deep with coved back (142" Max)		\$11.90	\$15.40	\$19.10	\$13.80	\$19.10	
Moulded in sinks	Qty. _____ X	\$199.00	\$229.00	\$249.00	\$209.00	\$249.00	
Specify SINK STYLE (See list and specifications on page M4):							
Top mount sinks (FDL Only)	Qty. _____ X	\$275.00	\$325.00	\$440.00	\$290.00	\$395.00	
Side splashes	Qty. _____ X	\$41.00	\$49.00	\$56.00	\$42.00	\$56.00	
ADDITIONAL CHARGES (These items are the same price for all tops)							
BANJO ARM, CUTBACK, or SPECIAL SHAPE	(Set-up charge)	Add	\$	75.00	each		
CUT-OUTS	Specify make & model #. Template may be required	Add	\$	75.00	each		
TWO TONE SINKS	(Specify Sink Color)	Add	\$	119.00	each		
CUSTOM COLORS	(Sample Will Be Made For Approval)	Add	\$	89.00	each		
* SPECIALTY EDGES	OGEE BULLNOSE BEVELED DOUBLE OGEE	Add	\$	2.85	per L.I.		
* SEPARATE BACK SPLASH	(Up to 12" tall)	Add	\$	1.50	per L.I.		
SPECIFY SINK LOCATION(S):		OFF SET LEFT	_____ "				N/C
CENTERED _____ "		OFF SET RIGHT	_____ "				N/C
SPECIFY FAUCET DRILL:		4"	8"	OTHER			N/C
SINGLE FACE CORRUGATED WRAP IS STANDARD PACKAGING							N/C
* CARTON ONLY		Add	\$	0.90	per L.I.		
* CARTON & FOAM PACK	(If extra protection is required)	Add	\$	1.75	per L.I.		

TOTAL LIST PRICE:

FAX US A SKETCH FOR A QUOTE ON CORNER TOPS.

AS WITH NATURAL MARBLE, VARIATIONS IN VEINING AND TONAL QUALITY WILL OCCUR. SAMPLES MUST BE CONSIDERED AS REPRESENTATIVE, BUT NOT EXACT. ACTUAL COLOR MAY VARY, CANNOT BE CONSIDERED A DEFECT, AND WILL NOT CONSTITUTE A REASON FOR A REFUND.

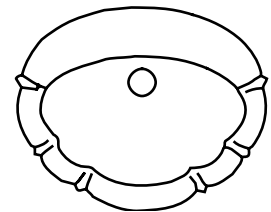
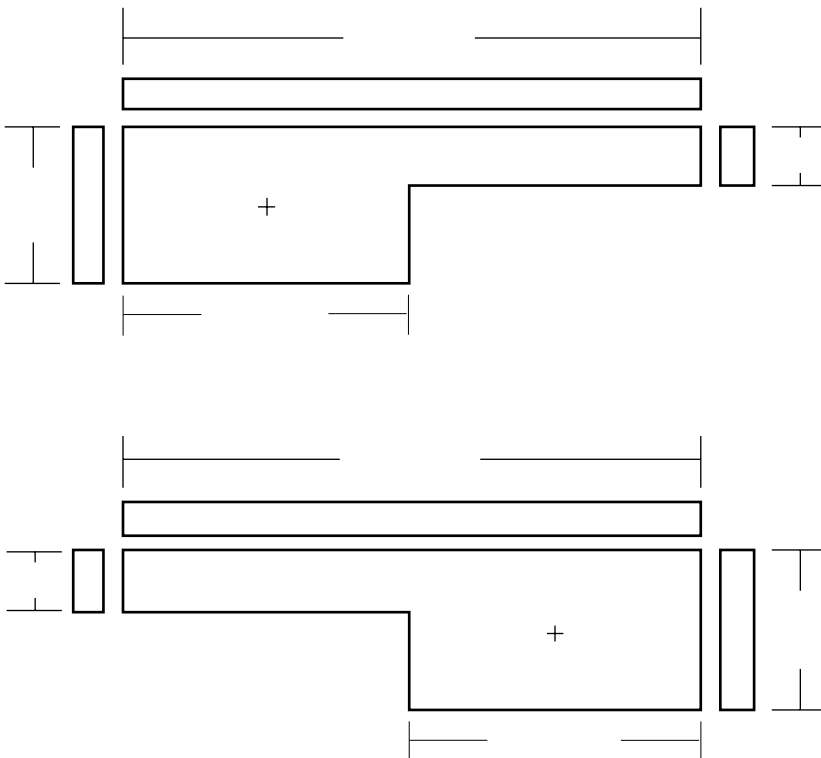
Edge Details

		
NON DRIP EDGE	FLAT EDGE	OGEE *
		
1-1/2" Min. Overhang DBL. OGEE *	1-1/4" Min. Overhang BULL NOSE *	1" Min. Overhang BEVELED *

* THESE SPECIALTY EDGES ARE AVAILABLE AT AN ADDITIONAL COST.
 SEE PAGE M2 FOR CUSTOM TOP PRICING
 (We must have the cabinet size to fabricate dropped edges.)

NON-DRIP EDGE IS ONLY AVAILABLE ON 19" AND 22" DEEP TOPS
 WITH COVERED BACKSPLASHES!!

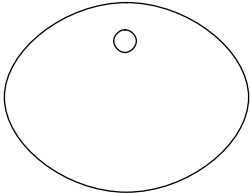
USE THE FOLLOWING SKETCH(ES) WHEN ORDERING "BANJO" TOPS.



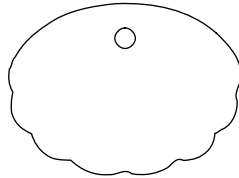
TOP MOUNT FDL
 (22-1/8" X 19-3/8" O.D.)
 (18" X 19-3/8" I.D.)
 MIN. OFFSET 13"

These Sinks Are Available In All Premium Custom Tops

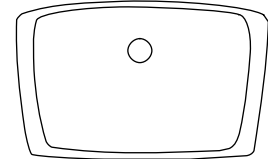
22" MINIMUM COUNTER TOP DEPTH



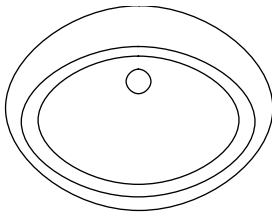
LARGE OVAL
(17" X 14")
MIN OFFSET 10 1/2"



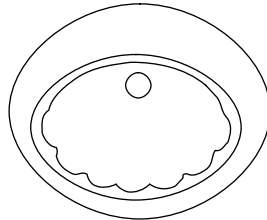
LARGE SHELL
(18-3/4" X 13")
MIN OFFSET 11 1/2"



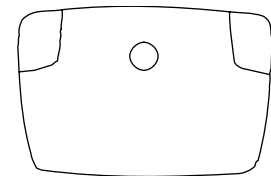
BEVELED RECTANGLE
(18" X 12-1/2")
MIN OFFSET 11"



LAGUNA OVAL
(22-3/4" X 18" O.D.)
(16-3/4" X 11-3/4" I.D.)
MIN OFFSET 13 1/2"

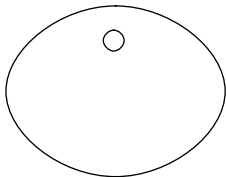


LAGUNA SHELL
(22-3/4" X 18" O.D.)
(16-3/4" X 11-3/4" I.D.)
MIN OFFSET 13 1/2"

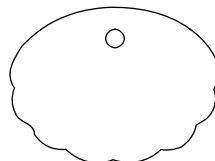


RECTANGLE WITH SOAP DISHES
(21-1/2" X 13-1/4")
MIN OFFSET 13"

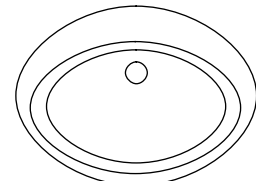
19" MINIMUM COUNTER TOP DEPTH



SMALL OVAL
(16-3/4" X 12")
MIN OFFSET 10"

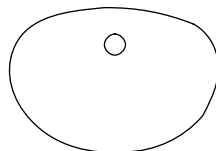


SMALL SHELL
(16-1/2" X 11-1/2")
MIN OFFSET 10"

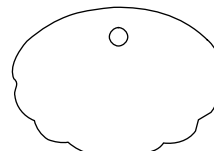


SMALL LAGUNA
(21-1/2" X 16-3/4" O.D.)
(15-1/4" X 10-3/8" I.D.)
MIN OFFSET 13 1/2"

17" MINIMUM COUNTER TOP DEPTH



TINY OVAL
(15" X 10-1/4")
MIN OFFSET 9"



TINY SHELL
(15" X 10-1/4")
MIN OFFSET 9"

DIMENSIONS AND SKETCHES ARE APPROXIMATE ONLY.

Premium Counter Tops Standard Sizes

TOP SIZES	CULTURED MARBLE (100L SERIES)	ONYX (200L SERIES)	GRANITE (300L SERIES)	FLORENTINE (400L SERIES)	FRIT (500L SERIES)
19 X 17	\$131.30	\$179.30	\$232.60	\$157.40	\$232.60
25 X 19	\$188.90	\$256.15	\$333.65	\$224.85	\$333.65
31 X 19	\$245.40	\$333.00	\$434.65	\$293.55	\$434.65
37 X 19	\$282.20	\$413.90	\$538.50	\$363.50	\$538.50
49 X 19	\$378.00	\$513.65	\$668.60	\$453.45	\$668.60
22 X 22 CORNER	\$232.10	\$319.45	\$456.75	\$281.05	\$456.75
25 X 22	\$218.10	\$296.55	\$463.75	\$261.10	\$354.00
31 X 22	\$288.75	\$392.30	\$512.15	\$346.05	\$498.00
37 X 22	\$339.05	\$474.55	\$624.80	\$418.45	\$594.00
49 X 22	\$456.05	\$620.20	\$808.45	\$547.15	\$777.00
61 X 22	\$573.75	\$780.55	\$1,016.05	\$687.00	\$960.00
73 X 22	\$705.35	\$958.50	\$1,249.95	\$844.40	\$1,128.00
73 X 22 DBL*	\$1,014.00	\$1,207.85	\$1,404.00	\$1,064.20	\$1,404.00
SIDE SPLASHES	\$41.00	\$49.00	\$56.00	\$42.00	\$56.00

TWO-TONE SINKS ARE AVAILABLE ON THESE STANDARD TOPS (ADD \$119.00 PER SINK).
 THESE TOPS COME WITH 4" FAUCET **DRILLING**, ADD \$10.00 PER SINK FOR ANY OTHER DRILL.
 SPECIAL DRILLING MUST BE SPECIFIED IN WRITING.

SINGLE FACED CORROGATED WRAP IS STANDARD **PACKAGING** ON THESE TOPS.

IF A CARTON IS REQUIRED, ADD \$.90 PER LINEAL INCH (\$20.00 MINIMUM).

IF A CARTON AND FOAM PACK IS REQUIRED, ADD \$1.75 PER LINEAL INCH (\$40 MINIMUM).

ALL TOPS ON THIS PAGE HAVE LAGUNA (RECESSED) OVAL SINKS EXCEPT THE 19X17 & CORNER TOP.

THE CORNER TOP HAS A REGULAR OVAL SINK.

THE 19X17 HAS AN OVAL SINK WITH A SOAP IMPRESSION ON RIGHT SIDE.

ALL SINGLE SINK TOPS HAVE CENTERED SINKS.

*SPECIFY SINK OFFSETS ON 73X22 DOUBLE SINK TOP (OUR STANDARD IS OSL & R 15-1/2").

FOR ANY OTHER SIZE OR CONFIGURATION SEE OUR CUSTOM TOP WORKSHEET (PAGE M2).

THESE TOPS MAY BE CUT DOWN. ADD \$40 FOR UNFINISHED END (CUT ONLY).

ADD \$45 FOR FINISHED END (CUT AND POLISHED).

AS WITH NATURAL MARBLE, VARIATIONS IN VEINING AND TONAL QUALITY WILL OCCUR.

SAMPLES MUST BE CONSIDERED AS REPRESENTATIVE, BUT NOT EXACT.

ACTUAL COLOR MAY VARY, CANNOT BE CONSIDERED A DEFECT, AND WILL NOT CONSTITUTE A REASON FOR A REFUND.

MISC. ITEMS

PROTECTALL® SHINE PLUS	GEL KARE®
6 OZ. AEROSOL.....\$12.00	16 OZ. SQUEEZE BOTTLE.....\$19.75
CASE (12 BOTTLES/CASE).....\$135.00	CASE (12 BOTTLES/CASE).....\$225.00
16 OZ. TRIGGER BOTTLE.....\$18.00	
CASE (12 BOTTLES/CASE).....\$205.00	

HARDWARE FOR UNDERMOUNT SINKS \$9.50 per SET

BUILDERS SERIES Standard White Tops

TOP SIZES	WHITE ON WHITE	
	MARBLE (#100B)	ONYX (#200B)
20 X 17	\$ 73.50	\$126.00
25 X 19	\$110.25	\$180.00
31 X 19	\$136.50	\$240.00
37 X 19	\$157.50	\$262.50
49 X 19	\$210.00	\$360.00
*22 X 22 CRN	\$180.00	\$273.00
SPLASHES	\$ 41.00	\$49.00

TOP SIZES	WHITE ON WHITE	
	MARBLE (#100B)	ONYX (#200B)
25 X 22	\$150.00	\$240.00
31 X 22	\$168.00	\$257.25
37 X 22	\$210.00	\$294.00
43 X 22	\$360.00	\$450.00
49 X 22	\$380.00	\$470.00
61 X 22	\$441.00	\$514.50
61 X 22 DBL	\$477.75	\$588.00

WE STOCK THE STANDARD TOPS LISTED ABOVE

USE **PAGE M6 (STANDARD PREMIUM TOPS)** FOR MODULAR TOPS IN **OTHER COLORS**.

USE **PAGE M2 (CUSTOM TOPS)** FOR ANY OTHER SIZE, COLOR, OR CONFIGURATION.

SINK INFORMATION

ALL SINKS ARE CENTERED EXCEPT AS NOTED BELOW.

THESE TOPS HAVE BEVELED OVAL SINKS.

61" DOUBLE SINK LOCATIONS ARE TYPICALLY OSL & R 12-1/2".

DRILL INFORMATION

THESE TOPS ARE ONLY AVAILABLE WITH 4" DRILLING.

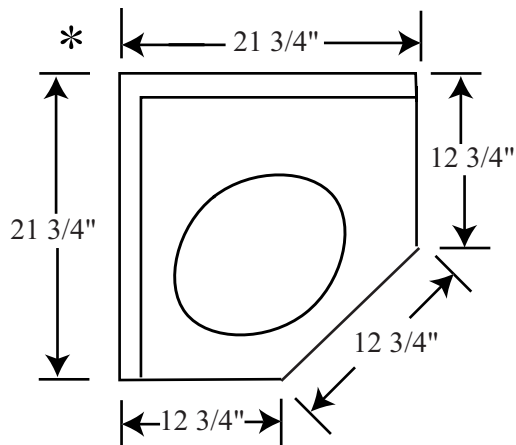
PACKAGING INFORMATION

SINGLE FACED CORRUGATED WRAP IS STANDARD PACKAGING ON THESE TOPS.

AS WITH NATURAL MARBLE, VARIATIONS IN VEINING AND TONAL QUALITY WILL OCCUR.

SAMPLES MUST BE CONSIDERED REPRESENTATIVE, BUT NOT EXACT.

ACTUAL COLOR MAY VARY, CANNOT BE CONSIDERED A DEFECT, AND WILL NOT CONSTITUTE A REASON FOR A REFUND.



THE TOPS ABOVE MAY BE CUT DOWN.
 ADD \$40 FOR UNFINISHED END (CUT ONLY).
 THEY CAN NOT BE CUT AND POLISHED.

Classic Bath Designs, Inc.

SUN VALLEY • CALIFORNIA

JUNE 1, 2005
 (818) 767-1144
 (818) 767-1278 FAX

FLAT STOCK (FOR WALLS, DECKING, ETC.)	CULTURED MARBLE	CULTURED ONYX	CULTURED GRANITE	FLORENTINE	FRIT
3/8" FLAT STOCK (Price per square foot) The maximum size is 84" X 120"	\$23.00	\$34.00	\$42.00	\$28.00	\$42.00
3/4" FLAT STOCK (Price per square foot) The maximum size is 84" X 120"	\$41.00	\$59.00	\$73.00	\$50.00	\$73.00

TUB & SHOWER ACCESSORIES	CULTURED MARBLE	CULTURED ONYX	CULTURED GRANITE	FLORENTINE	FRIT
SOAP DISH (8" X 6-3/4" X 2-3/4")	\$89.00	\$110.00	\$140.00	\$100.00	\$140.00
SOAP AND SHAMPOO DISH (8" X 15-1/4" X 3-1/4")	\$111.00	\$142.00	\$180.00	\$131.00	\$180.00
DIAMOND COMBO DISH (17" X 19-1/2" X 3-5/8")	\$215.00	\$278.00	\$340.00	\$247.00	\$340.00
SHOWER SEAT (18" RADIUS)	\$315.00	\$410.00	\$520.00	\$368.00	\$520.00
INSIDE CORNER MOULDING (3/4" X 3/4" X 96")	\$111.00	\$135.00	\$175.00	\$126.00	\$175.00
SINGLE FLUTE MOULDING (2" X 1/2" X 96")	\$111.00	\$135.00	\$175.00	\$126.00	\$175.00
DOUBLE FLUTE MOULDING (2" X 1/2" X 96")	\$111.00	\$135.00	\$175.00	\$126.00	\$175.00
SEAM MOULDING (1" X 1/4" X 96")	\$111.00	\$135.00	\$175.00	\$126.00	\$175.00
OUTSIDE CORNER MOULDING (1-1/2" X 1-1/2" X 96")	\$111.00	\$135.00	\$175.00	\$126.00	\$175.00
WINDOW SILL (1/2" THICK, UP TO 9" WIDE X 48")	\$210.00	\$268.00	\$335.00	\$242.00	\$335.00

STANDARD SHOWER PANS **Please specify open sides on all shower pans**	CULTURED MARBLE (#100L)	CULTURED ONYX (#200L)	CULTURED GRANITE (#300L)	FLORENTINE (#400L)	FRIT (#500L)
32" X 32" SQUARE	\$595.00	\$750.00	\$919.00	\$667.00	\$919.00
36" X 36" SQUARE	\$739.00	\$970.00	\$1,234.00	\$893.00	\$1,234.00
42" X 42" SQUARE	\$985.00	\$1,273.00	\$1,588.00	\$1,143.00	\$1,588.00
36" X 36" NEO-ANGLE	\$739.00	\$970.00	\$1,234.00	\$893.00	\$1,234.00
42" X 42" NEO-ANGLE	\$985.00	\$1,273.00	\$1,588.00	\$1,143.00	\$1,588.00
42" X 36" RECTANGLE (42" ENTRY)	\$965.00	\$1,273.00	\$1,617.00	\$1,169.00	\$1,617.00
48" X 36" RECTANGLE (48" ENTRY)	\$976.00	\$1,295.00	\$1,643.00	\$1,185.00	\$1,643.00
54" X 36" RECTANGLE (54" ENTRY)	\$1,097.00	\$1,450.00	\$1,832.00	\$1,323.00	\$1,832.00
60" X 32" RECTANGLE (OFFSET DRAIN)	\$1,097.00	\$1,450.00	\$1,832.00	\$1,323.00	\$1,832.00
60" X 34" RECTANGLE (CENTER DRAIN)	\$1,141.00	\$1,505.00	\$1,911.00	\$1,378.00	\$1,911.00
60" X 36" RECTANGLE (CENTER DRAIN)	\$1,174.00	\$1,549.00	\$1,969.00	\$1,422.00	\$1,969.00

Standard Pans are approximately 4-1/4" tall (3-1/2" I.D.)

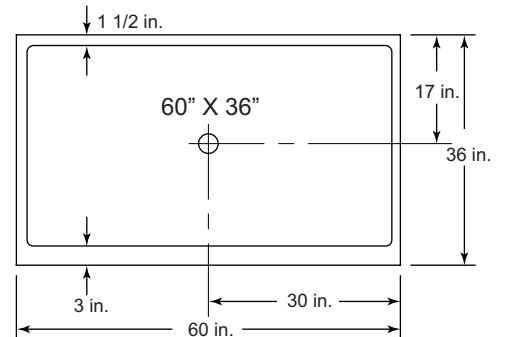
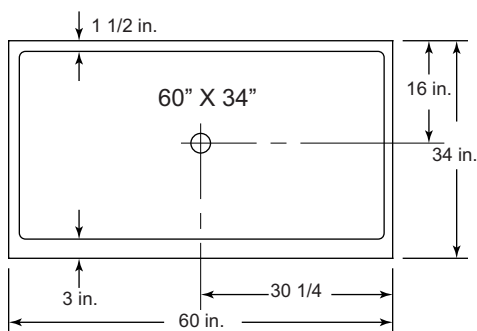
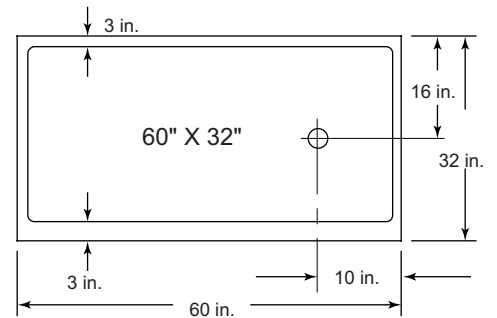
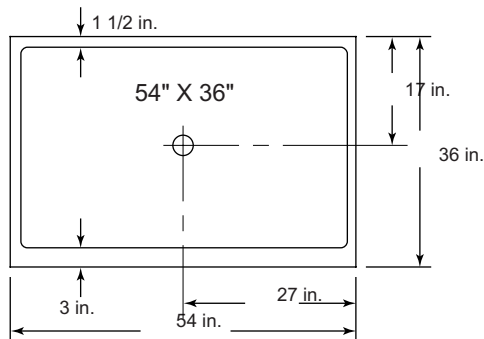
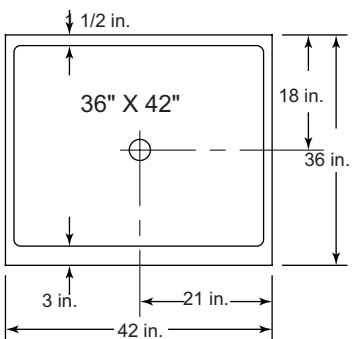
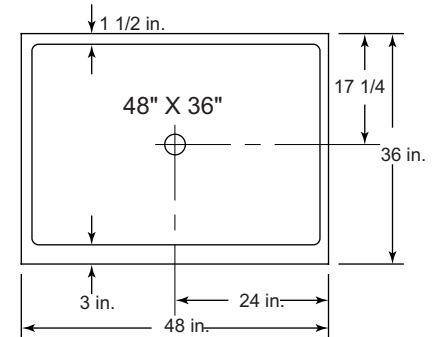
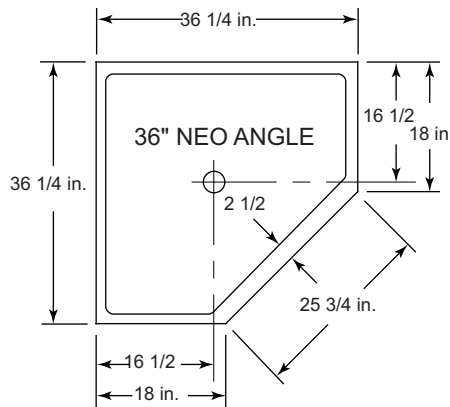
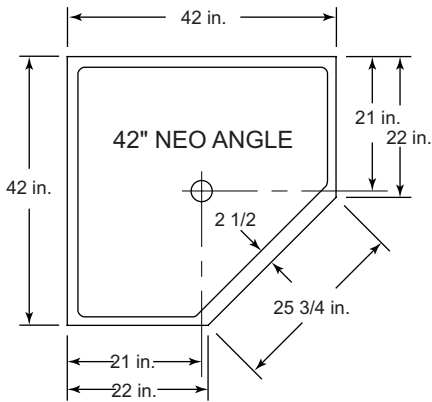
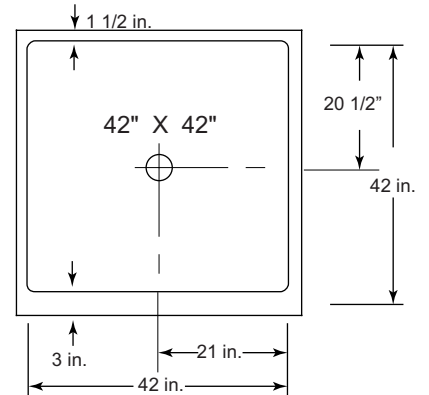
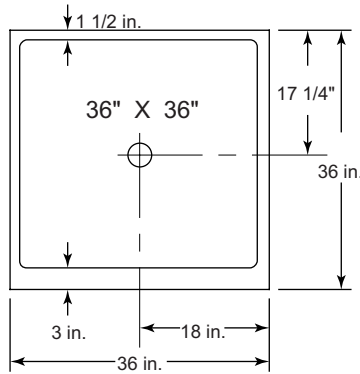
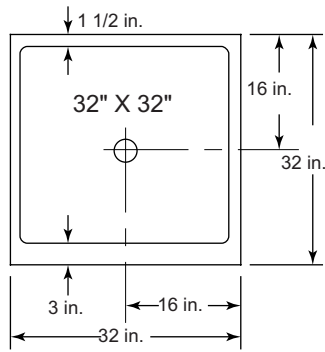
Custom Floors Can Be Made To Your Specifications. Call For Quote.
 Custom floors can have a threshold height of 3 to 5-1/4 inches.
 The maximum size for custom floors is 60 X 72 with a Center Drain.
 The maximum size is smaller if the Drain is offset.

Installation is available. Call us for an Estimate.

Classic Bath Designs, Inc.

SUN VALLEY • CALIFORNIA

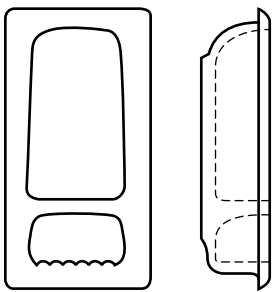
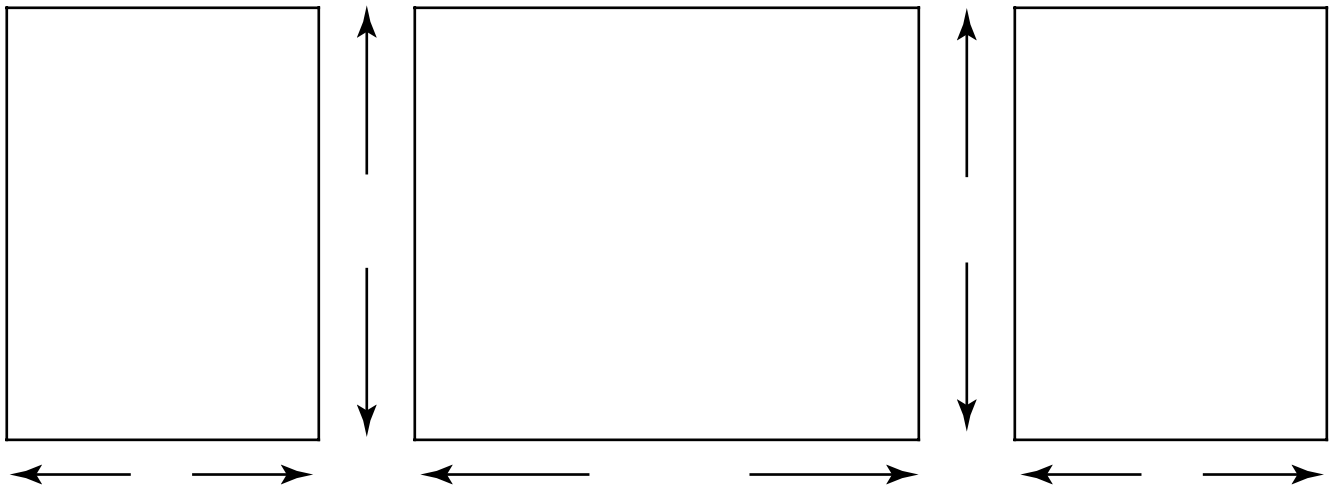
JUNE 1, 2005
(818) 767-1144
(818) 767-1278 FAX



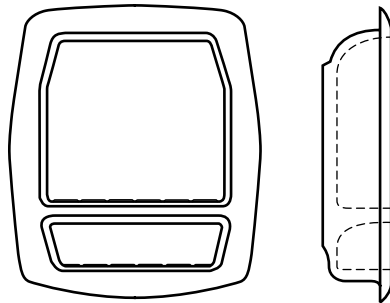
Classic Bath Designs, Inc.

SUN VALLEY • CALIFORNIA

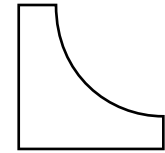
JUNE 1, 2005
 (818) 767-1144
 (818) 767-1278 FAX



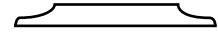
COMBO DISH



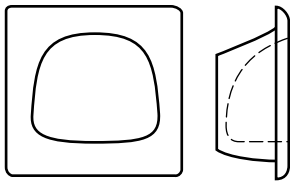
DIAMOND COMBO DISH



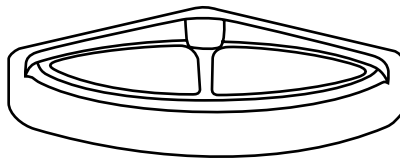
INSIDE CORNER MOULDING



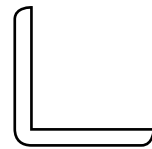
SEAM MOULDING



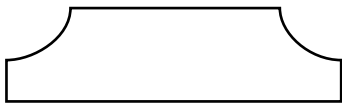
SOAP DISH



SHOWER SEAT



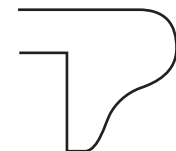
OUTSIDE CORNER MOULDING



DOUBLE FLUTE MOULDING



SINGLE FLUTE MOULDING



WINDOW SILL

ALLOW 1/4" (+/-) ON ALL DIMENSIONS.

As with natural marble, variations in veining and tonal quality will occur.

Therefore, samples must be considered as representative, but NOT EXACT.

Color variation CANNOT be considered a DEFECT, and will not constitute a reason for a refund.